

02



# Accessories

# Guard grills

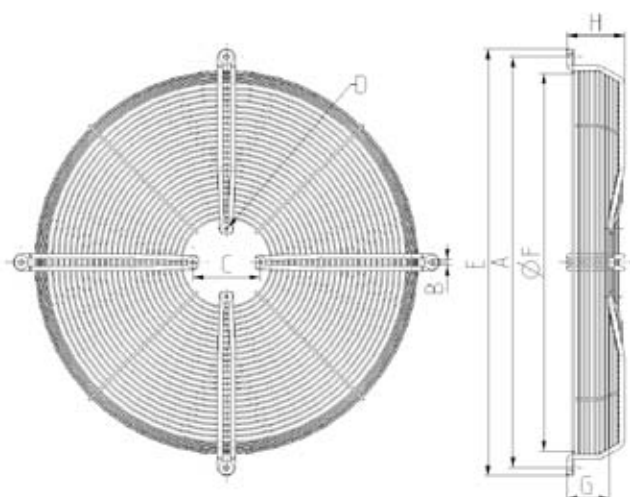
## Main dimensions – Basket grills Type 1

Fan dia	Motor type	A	B	C	D	E	Ø F	G	H	Code
450	EC10	515	9	164	∅ 6.5	534	475	47	82	0300-1-3349
450	EC10	515	9	164	∅ 6.5	534	475	68	103	0300-1-3388
500	EC10	565	∅ 11	164	∅ 6.5	590	522	56	93	0300-1-3348
560	EC10	700	∅ 11	164	∅ 6.5	725	645	62	99	0300-1-3409
630	EC10	750	∅ 11	164	∅ 6.5	775	695	81	118	0300-1-3347
630	EC10	750	∅ 11	164	∅ 6.5	775	695	48	85	0300-1-3386
500	EC14	565	9	186	∅ 7	591	521	55.5	97	0300-1-3412
500	EC14	565	9	186	∅ 7	590	521	80.5	122	0300-1-3468
500	EC14	615	9	186	∅ 7	640	571	28.5	70	0300-1-3489
560	EC14	658	9	186	∅ 7	683	616	32.5	74	0300-1-3490
560	EC14	700	9	186	∅ 7	725	656	44.5	86	0300-1-3466
560	EC14	700	9	186	∅ 7	725	656	104.5	146	0300-1-3487
630	EC14	720	9	186	∅ 7	745	684	17	59	0300-1-3491
630	EC14	750	9	186	∅ 7	775	706	109	67	0300-1-3469
630	EC14	750	9	186	∅ 7	775	706	127	85	0300-1-3487

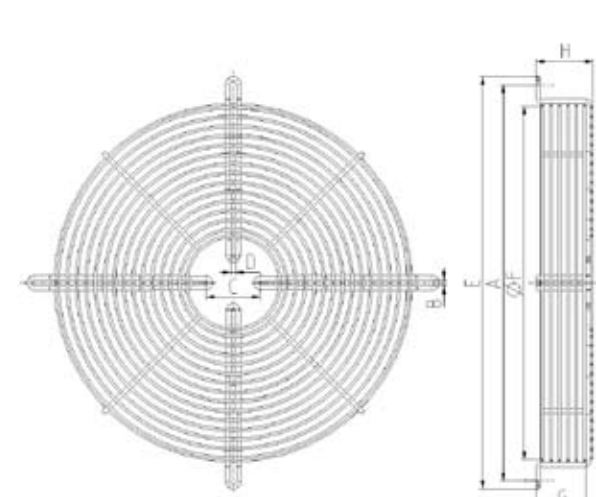
## Main dimensions – Basket grills Type 2

Fan dia	Motor type	A	B	C	D	E	Ø F	G	H	Code
250	EC09	300	6.5	125	4.5	314	269	37	45	0300-1-3218
300	EC09	360	6.5	125	4.5	376	316	53	61	0300-1-3217
330 / 315	EC09	400	6.5	125	4.5	416	356	67	75	0300-1-3215
350	EC09	442	6.5	125	4.5	460	376	76	84	0300-1-3198

Basket grills Type 1



Basket grills Type 2



Notes: Surface black painted RAL9005

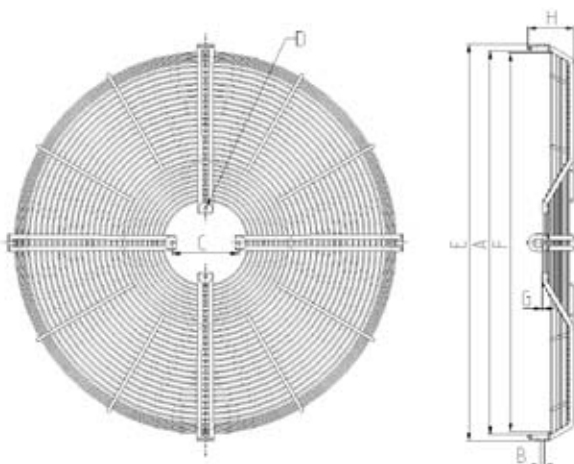
**Main dimensions – Basket grills Type 3**

Fan dia	Motor type	A	B	C	D	E	F	G	H	Code
500	EC10	519	∅ 11	164	∅ 6.5	537	511	1	50	0300-1-3381
560	EC10	578	∅ 11	164	∅ 6.5	596	570	6	66	0300-1-3398
630	EC10	654	∅ 7	164	∅ 6.5	676	646	6	66	0300-1-3382
500	EC14	519	∅ 7	186	∅ 7	539	513	2	71	0300-1-3441
630	EC14	654	∅ 7	186	∅ 7	674	648	-8	61	0300-1-3451

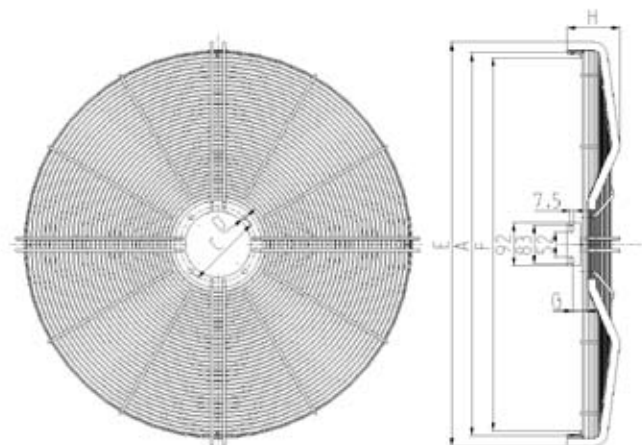
**Main dimensions – Basket grills Type 4**

Fan dia	Motor type	A	B	C	D	E	F	G	H	Code
710	EC14	731	7.5 x 14.5	182	∅ 11	777	715	32	112	0300-1-3077
800	EC14	816	7.5 x 15.5	182	∅ 11	816	795	30	112	0300-1-3072

**Basket grills Type 3**



**Basket grills Type 4**



Notes: Surface black painted RAL9005

### Main dimensions – Basket grills Type 5

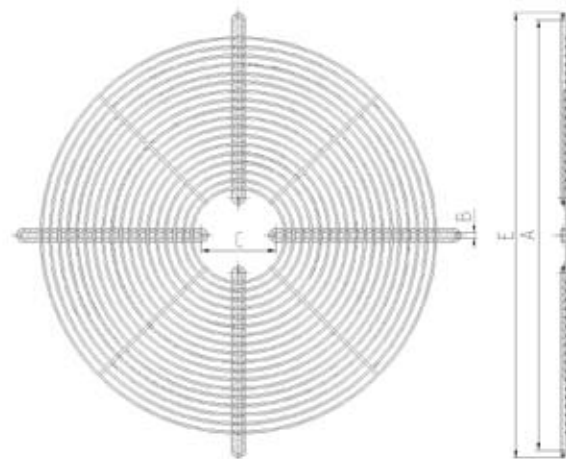
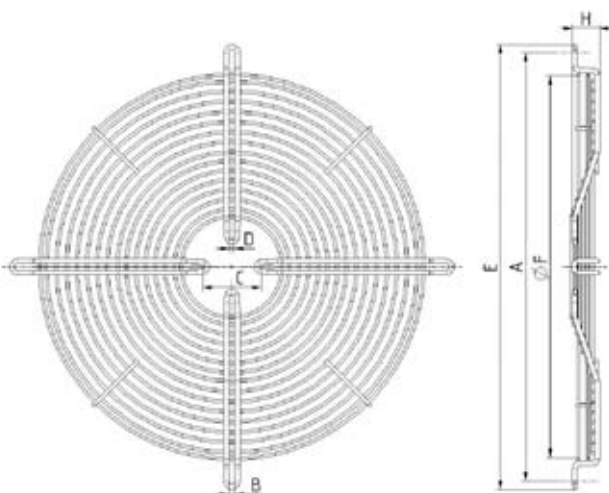
Fan dia	Motor type	A	B	C	D	E	∅F	G	H	Code
300	R09	360	6.5	58	4.5	376	330	0	27	0300-1-3195
315	R09	375	6.5	58	4.5	392	344	0	27	0300-1-3194
330	R09	408	6.5	58	4.5	424	376	0	27	0300-1-3193
350	R09	422	6.5	58	4.5	438	376	0	27	0300-1-3192

### Main dimensions – Flat grills

Fan dia	Motor type	A	B	C	D	E				Code
200	R09	250	6	58	4.5	264				0300-1-3094
250	R09	300	6	58	4.5	314				0300-1-3095
400	R11	467	6.5	90	6.5	490				0300-1-3128
450	R11	520	6.5	90	6.5	538				0300-1-3030
500	R11	565	9.5	90	6.5	586				0300-1-3031
560	R11	625	9.5	90	9.5	644				0300-1-3032

### Basket grills Type 5

### Flat grills



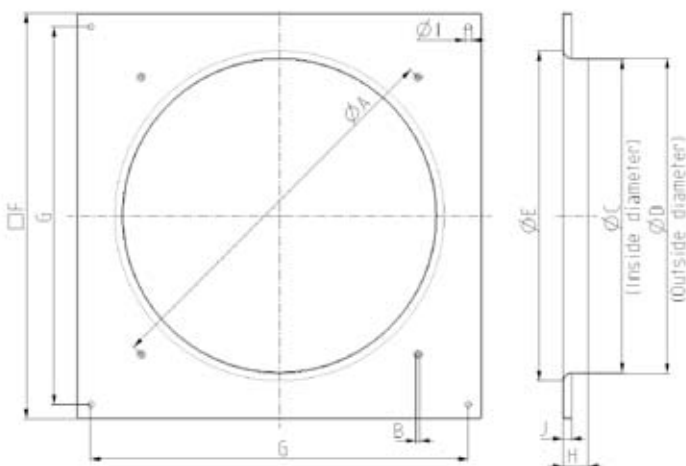
Notes: Surface black painted RAL9005

# Wall plates

## Main dimensions – Square short wall plates

Fan dia	Airflow direction	A	B	Ø C	Ø D	Ø E	q F	G	H	Ø I	J	Code
300	sucking	360	M6	307	310	337	430	380	45	11	15	0300-6-7122
300	blowing	360	M6	307	310	337	430	380	45	11	15	0300-6-7073
315	sucking	375	M6	319	322	349	430	380	45	11	15	0300-6-7120
315	blowing	375	M6	319	322	349	430	380	45	11	15	0300-6-7075
330	sucking	400	M6	337	340	367	485	435	45	11	15	0300-6-7118
330	blowing	400	M6	337	340	367	485	435	45	11	15	0300-6-7104
350	sucking	422	M6	360	363	390	485	435	45	11	15	0300-6-7116
350	blowing	422	M6	360	363	390	485	435	45	11	15	0300-6-7077
400	sucking	455	M8	403	406	433	540	490	45	11	15	0300-6-7114
400	blowing	455	M8	403	406	433	540	490	45	11	15	0300-6-7079
420	blowing	483	M8	426	429	460	575	535	45	11	15	0300-6-7087
450	sucking	515	M8	452	455	482	575	535	45	11	15	0300-6-7112
450	blowing	515	M8	452	455	482	575	535	45	11	15	0300-6-7069
500	sucking	565	M8	504	507	534	655	615	45	11	15	0300-6-7110
500	blowing	565	M8	504	507	534	655	615	45	11	15	0300-6-7081
560	sucking	700	M8	560	563	590	725	675	45	11	15	0300-6-7108
560	blowing	700	M8	560	563	590	725	675	45	11	15	0300-6-7083
630	sucking	750	M8	635	638	675	805	750	60	11	15	0300-6-7106
630	blowing	750	M8	635	638	675	805	750	60	11	15	0300-6-7071

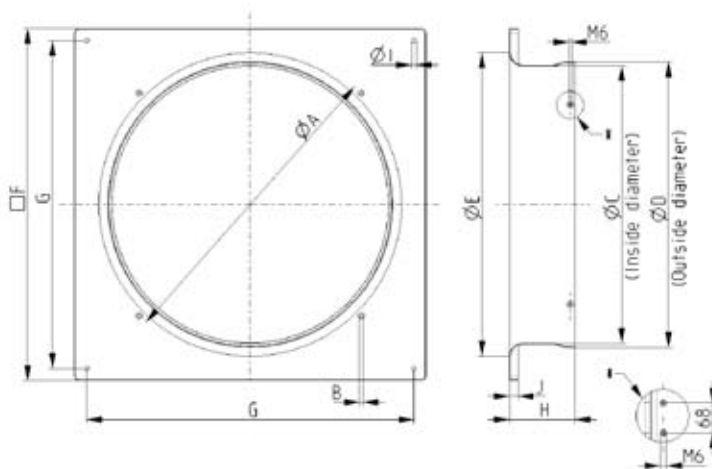
### Square short wall plate



### Main dimensions – Square long wall plates

Fan dia	Airflow direction	A	B	Ø C	Ø D	Ø E	q F	G	H	Ø I	J	Code
500	sucking	615	M8	504	518	585	656	615	118	11	16	0300-6-7089
560	sucking	658	M8	560	577	630	725	675	135	11	16	0300-6-7095
630	sucking	720	M8	634	653	695	805	750	150	11	20	0300-6-7091
710	sucking	/	/	711	729	790	850	810	167	14.5	20	0300-6-7085
800	sucking	/	/	797	815	915	970	910	210	14.5	17	0300-6-7068

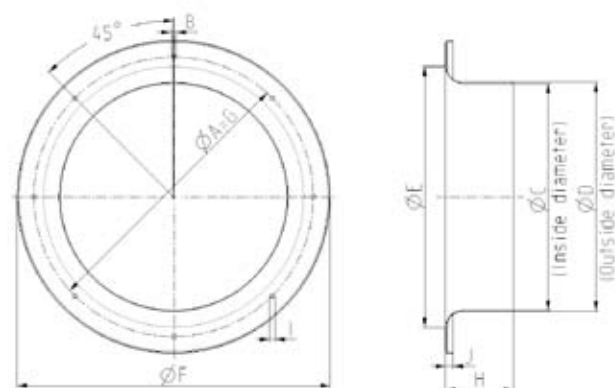
### Square long wall plate



### Main dimensions – Round long wall plates 1

Fan dia	Airflow direction	A	B	Ø C	Ø D	Ø E	Ø F	G	H	Ø I	J	Code
200	blowing	250	4.3	203	206	233	280	250	61	6.4	6.5	0300-6-7102
250	blowing	300	4.3	253	256	287	330	300	65	6.4	7.5	0300-6-7103

### Round long wall plate Type 1

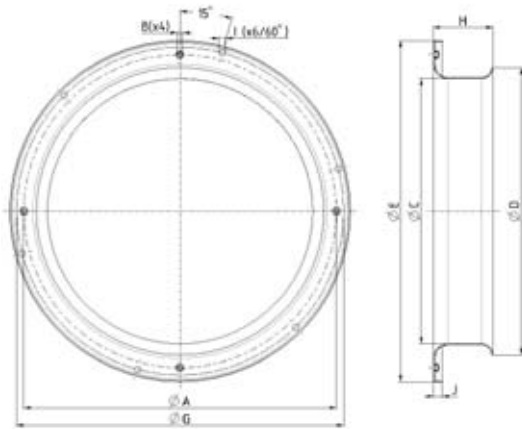


Notes: Surface black painted RAL9005

**Main dimensions – Round long wall plates 2**

Fan dia	Airflow direction	A	B	Ø C	Ø D	Ø E	q F	G	H	Ø I	J	Code
300	sucking	361	M6	306	326	397	/	380	80	9	11	0300-6-7144
315	sucking	375.5	M6	317	347	397	/	380.5	74	9	11	0300-6-7146
330	sucking	408	M6	336	369	440	/	404	80	9	9	0300-6-7148
350	sucking	422	M6	358	388	460	/	442	80	9	12	0300-6-7150
400	sucking	502	M6	400	419	528	/	504	96	9	12	0300-6-7166
420	sucking	502	M8	426	447	544	/	520	96	9	12	0300-6-7168
450	sucking	560	M8	454	465	607	/	578	100	9	14	0300-6-7170

**Round long wall plate Type 2**





05

# Accessories



AC AXIAL FANS –  
SICKLED BLADES

AC AXIAL FANS –  
BLADES WITH COMPOSITE  
MATERIAL (PP/AP)

AC AXIAL FANS –  
PADDLE BLADES

UL LISTED AXIAL FANS

ACCESSORIES

CONNECTION DIAGRAMS

APPENDIX

# Guard grills

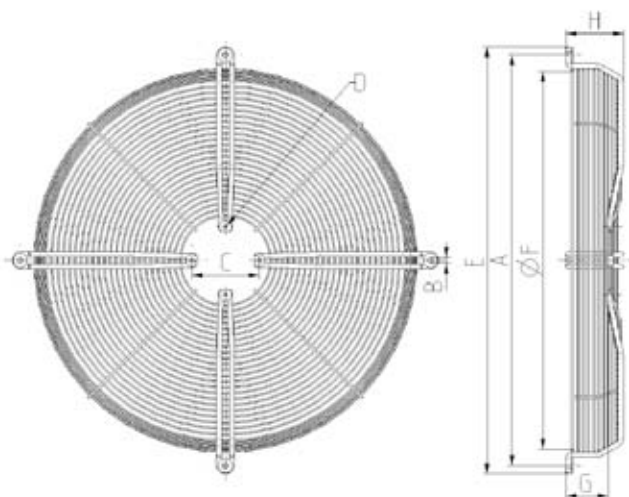
## Main dimensions – Basket grills Type 1

Fan dia.	Motor type	A	B	C	D	E	Ø F	G	H	Code
450	R13	515	ø 9.5	115	ø 7	543	479	70	96	0300-1-3001
500	R13	565	ø 9.5	115	ø 7	589	522	70	96	0300-1-3004
560	R13	700	ø 10.5	115	ø 7	727	644	71.5	97.5	0300-1-3003
630	R13	750	ø 10.5	115	ø 10.5	784	690	70	96	0300-1-3006

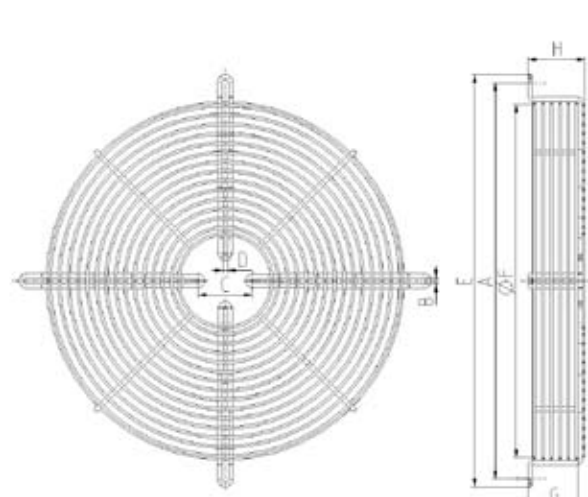
## Main dimensions – Basket grills Type 2

Fan dia.	Motor type	A	B	C	D	E	Ø F	G	H	Code
200	R09	260	6.5	58	6.5	274	230	37	45	0300-1-3103
250	R09	300	6.5	58	6.5	314	269	37	45	0300-1-3104
300	R09	360	6.5	58	6.5	376	316	35	43	0300-1-3009
315	R09	375	6.5	58	6.5	393	336	57	65	0300-1-3022
350	R09	422	6.5	58	6.5	440	376	53	61	0300-1-3008
350	R11	442	6.5	90	6.5	485	376	53	61	0300-1-3027
400	R11	455	ø 9.5	90	ø 6.5	476	422	76	84	0300-1-3026
450	R11	520	10	90	10	540	480	55	73	0300-1-3000

Basket grills Type 1



Basket grills Type 2



Notes: Surface black painted RAL9005

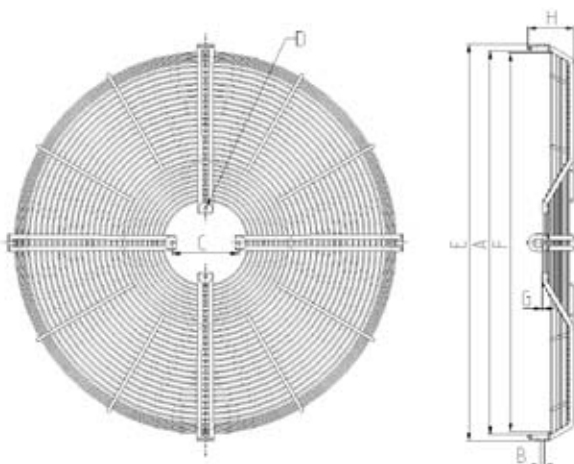
**Main dimensions – Basket grills Type 3**

Fan dia.	Motor type	A	B	C	D	E	ØF	G	H	Code
560	R13	579	ø 7	115	ø 7	601	571	17	94	0300-1-3089
630	R13	654	ø 7	115	ø 7	676	646	1	79	0300-1-3087

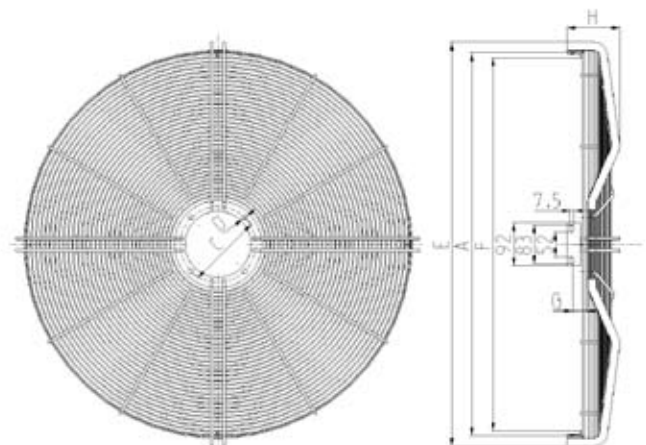
**Main dimensions – Basket grills Type 4**

Fan dia.	Motor type	A	B	C	D	E	ØF	G	H	Code
710	R18	731	7.5 x 14.5	182	ø 11	777	715	32	112	0300-1-3077
800	R18	816	7.5 x 15.5	182	ø 11	816	795	30	112	0300-1-3072

**Basket grills Type 3**



**Basket grills Type 4**



Notes: Surface black painted RAL9005

### Main dimensions – Basket grills Type 5

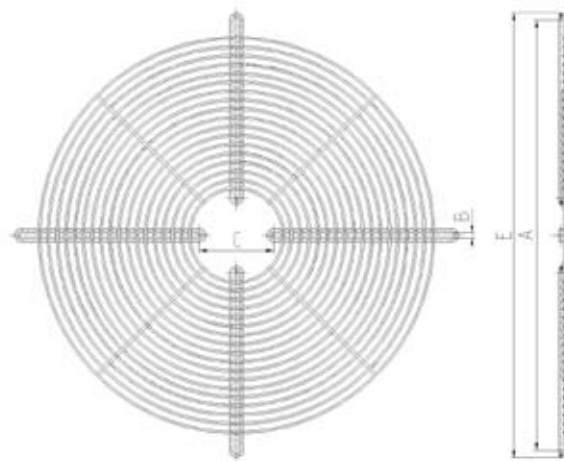
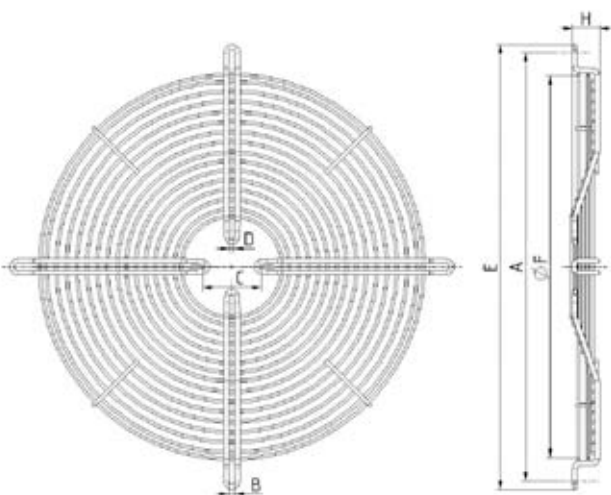
Fan dia.	Motor type	A	B	C	D	E	∅F	G	H	Code
300	R09	360	6.5	58	4.5	376	330	0	27	0300-1-3195
315	R09	375	6.5	58	4.5	392	344	0	27	0300-1-3194
330	R09	408	6.5	58	4.5	424	376	0	27	0300-1-3193
350	R09	422	6.5	58	4.5	438	376	0	27	0300-1-3192

### Main dimensions – Flat grills

Fan dia.	Motor type	A	B	C	D	E				Code
200	R09	250	6	58	4.5	264				0300-1-3094
250	R09	300	6	58	4.5	314				0300-1-3095
400	R11	467	6.5	90	6.5	490				0300-1-3128
450	R11	520	6.5	90	6.5	538				0300-1-3030
500	R11	565	9.5	90	6.5	586				0300-1-3031
560	R11	625	9.5	90	9.5	644				0300-1-3032

### Basket grills Type 5

### Flat grills



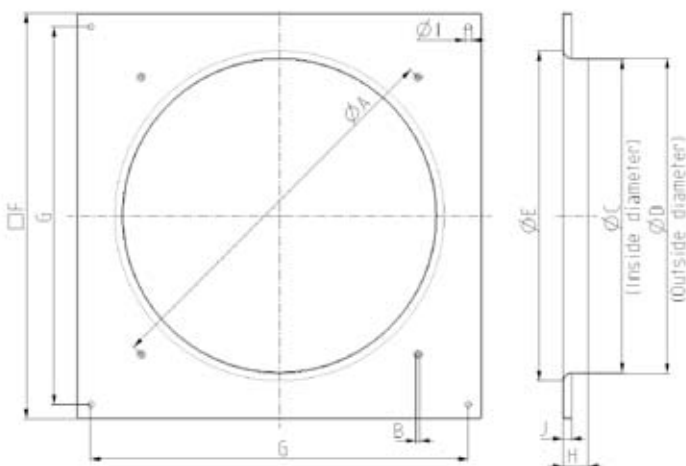
Notes: Surface black painted RAL9005

# Wall plates

## Main dimensions – Square short wall plates

Fan dia.	Airflow direction	A	B	Ø C	Ø D	Ø E	Ø F	G	H	Ø I	J	Code
300	sucking	360	M6	307	310	337	430	380	45	11	15	0300-6-7122
300	blowing	360	M6	307	310	337	430	380	45	11	15	0300-6-7073
315	sucking	375	M6	319	322	349	430	380	45	11	15	0300-6-7120
315	blowing	375	M6	319	322	349	430	380	45	11	15	0300-6-7075
330	sucking	400	M6	337	340	367	485	435	45	11	15	0300-6-7118
330	blowing	400	M6	337	340	367	485	435	45	11	15	0300-6-7104
350	sucking	422	M6	360	363	390	485	435	45	11	15	0300-6-7116
350	blowing	422	M6	360	363	390	485	435	45	11	15	0300-6-7077
400	sucking	455	M8	403	406	433	540	490	45	11	15	0300-6-7114
400	blowing	455	M8	403	406	433	540	490	45	11	15	0300-6-7079
420	blowing	483	M8	426	429	460	575	535	45	11	15	0300-6-7087
450	sucking	515	M8	452	455	482	575	535	45	11	15	0300-6-7112
450	blowing	515	M8	452	455	482	575	535	45	11	15	0300-6-7069
500	sucking	565	M8	504	507	534	655	615	45	11	15	0300-6-7110
500	blowing	565	M8	504	507	534	655	615	45	11	15	0300-6-7081
560	sucking	700	M8	560	563	590	725	675	45	11	15	0300-6-7108
560	blowing	700	M8	560	563	590	725	675	45	11	15	0300-6-7083
630	sucking	750	M8	635	638	675	805	750	60	11	15	0300-6-7106
630	blowing	750	M8	635	638	675	805	750	60	11	15	0300-6-7071

### Square short wall plate

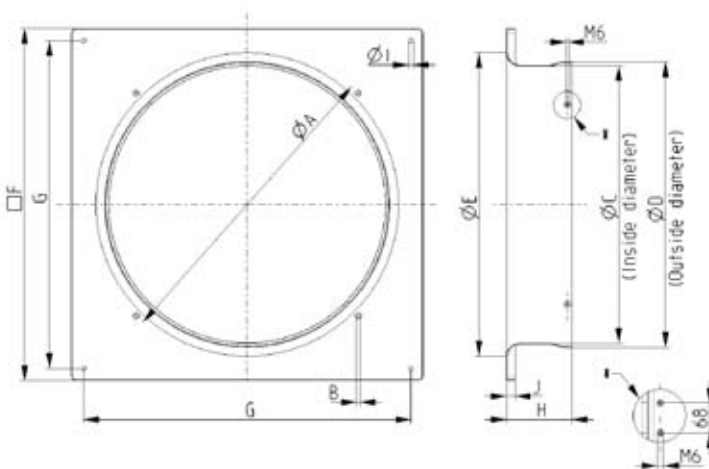


Notes: Surface black painted RAL9005

### Main dimensions – Square long wall plates

Fan dia.	Airflow direction	A	B	Ø C	Ø D	Ø E	Ø F	G	H	Ø I	J	Code
500	sucking	615	M8	504	518	585	656	615	118	11	16	0300-6-7089
560	sucking	658	M8	560	577	630	725	675	135	11	16	0300-6-7095
630	sucking	720	M8	634	653	695	805	750	150	11	20	0300-6-7091
710	sucking	/	/	711	729	790	850	810	167	14.5	20	0300-6-7085
800	sucking	/	/	797	815	915	970	910	210	14.5	17	0300-6-7068

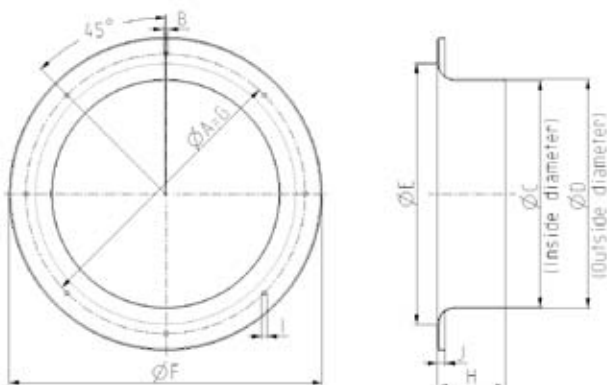
### Square long wall plate



### Main dimensions – Round long wall plates 1

Fan dia.	Airflow direction	A	B	Ø C	Ø D	Ø E	Ø F	G	H	Ø I	J	Code
200	blowing	250	4.3	203	206	233	280	250	61	6.4	6.5	0300-6-7102
250	blowing	300	4.3	253	256	287	330	300	65	6.4	7.5	0300-6-7103

### Round long wall plate Type 1

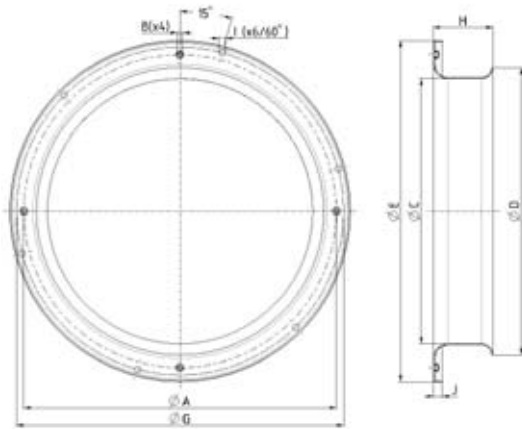


Notes: Surface black painted RAL9005

**Main dimensions – Round long wall plates 2**

Fan dia.	Airflow direction	A	B	Ø C	Ø D	Ø E	Ø F	G	H	Ø I	J	Code
300	sucking	361	M6	306	326	397	/	380	80	9	11	0300-6-7144
315	sucking	375.5	M6	317	347	397	/	380.5	74	9	11	0300-6-7146
330	sucking	408	M6	336	369	440	/	404	80	9	9	0300-6-7148
350	sucking	422	M6	358	388	460	/	442	80	9	12	0300-6-7150
400	sucking	502	M6	400	419	528	/	504	96	9	12	0300-6-7166
420	sucking	502	M8	426	447	544	/	520	96	9	12	0300-6-7168
450	sucking	560	M8	454	465	607	/	578	100	9	14	0300-6-7170

**Round long wall plate Type 2**



Notes: Surface black painted RAL9005